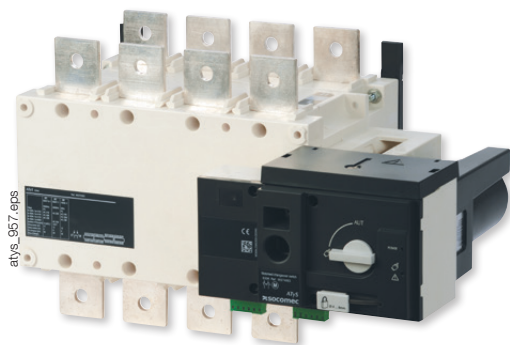


ATyS r

Remotely operated Transfer Switching Equipment
from 125 to 3200 A



Function

ATyS r are 3 or 4 pole remotely operated motorised transfer switches with positive break indication.

They enable the on-load transfer of two three-phase power supplies via remote volt-free contacts, from either an external automatic controller, using pulse logic, or a switch.

They are intended for use in low voltage power systems where interruption of the load supply is acceptable during transfer.

Advantages

Watchdog relay to check product availability

ATyS r products are equipped with a Watchdog relay which constantly monitors your product, thereby securing the installation.

This relay informs in real time the user of the product's availability, i.e. whether it is operational and ready for source switching.

Integrated auxiliary contacts

As part of the product monitoring function, the ATyS r enable the transmission of information relating to their position. This is possible thanks to the standard integration of an auxiliary contact for each position.

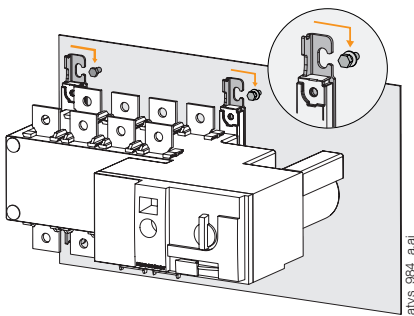
Extended power supply range

ATyS r products offer greater availability thanks to their extensive power supply range of 208 to 277 VAC \pm 20%.

More robust

The updated design includes metal mounting legs across the entire ATyS range, improving the overall robustness of the switches.

It also allows an easier and trouble-free mounting of the switches on a back plate with preassembled screws.



The solution for

- > Applications with an external ATS/AMF controller
- > Building Management Systems (BMS)



Strong points

- > Watchdog relay to check product availability
- > Integrated auxiliary contacts
- > Extended power supply range
- > Robust design

Conformity to standards

- > IEC 60947-6-1
- > IEC 60947-3
- > GB/T 14048.11



Approvals and certifications⁽¹⁾



BUREAU
VERITAS



(1) Product references on request.

Compatible with



ATyS C25, ATyS C35, ATyS C55, ATyS C65
ATS Controller

Enclosed RTSE



See "Enclosed transfer switches".

References

ATyS r

Rating (A) / Frame size	No. of poles	ATyS r	Bridging bars ⁽⁴⁾	Terminal shrouds	Terminal screens	Auxiliary contact	3 position padlocking	Auto transformer					
125 A / B3	3 P	9523 3012	4109 0019	3 P 2694 3014 ⁽²⁾ 4 P 2694 4014 ⁽²⁾	3 P 1509 3012 4 P 1509 4012								
	4 P	9523 4012											
160 A / B3	3 P	9523 3016											
	4 P	9523 4016											
200 A / B3	3 P	9523 3020											
	4 P	9523 4020											
250 A / B4	3 P	9523 3025	4109 0025	3 P 2694 3021 ⁽²⁾ 4 P 2694 4021 ⁽²⁾	3 P 1509 3025 4 P 1509 4025	1599 0502	9599 0003 ⁽³⁾						
	4 P	9523 4025											
315 A / B4	3 P	9523 3031	4109 0039										
	4 P	9523 4031											
400 A / B4	3 P	9523 3040											
	4 P	9523 4040											
500 A / B5	3 P	9523 3050	4109 0050	3 P 2694 3051 ⁽²⁾ 4 P 2694 4051 ⁽²⁾	3 P 1509 3063 4 P 1509 4063			400/230 VAC 1599 4064 ⁽⁵⁾					
	4 P	9523 4050											
630 A / B5	3 P	9523 3063	4109 0063										
	4 P	9523 4063											
800 A / B6	3 P	9523 3080	4109 0080							3 P 1509 3080 4 P 1509 4080	1599 0532		
	4 P	9523 4080											
1000 A / B6	3 P	9523 3100											
	4 P	9523 4100											
1250 A / B6	3 P	9523 3120	4109 0120										
	4 P	9523 4120											
1600 A / B7	3 P	9523 3160	4109 0160		3 P 1509 3160 4 P 1509 4160		9599 0004 ⁽³⁾						
	4 P	9523 4160											
2000 A / B8	3 P	9523 3200	(1)							3 P 1509 3200 4 P 1509 4200	included		
	4 P	9523 4200											
2500 A / B8	3 P	9523 3250											
	4 P	9523 4250											
3200 A / B8	3 P	9523 3320											
	4 P	9523 4320											

(1) See "Copper bar connection pieces".

(2) For complete shrouding at front, rear, top and bottom, order quantity 4; if equipped with bridging bars order quantity 3.

For top and bottom shrouding for the front only, order quantity 2.

(3) Factory mounting only.

(4) For a 3 pole device order quantity 3 bridging bars, for a 4 pole device order quantity 4.

(5) Order 1 auto transformer per source without neutral line conductor.